



ARIES
LABORATORY WATER SYSTEM



- Type I Water System
- Quiet Operation
- Low Operating Costs

SYSTEM OVERVIEW

The ARIES High Purity Water System provides up to 4.0 liters per minute of 18.2 megohm water. A quiet recirculation pump ensures constant water purity. Standard equipment includes a built in pressure regulator and a 0.2 micron final filter to remove bacteria. Water quality meets or exceeds ASTM Type I water specifications.

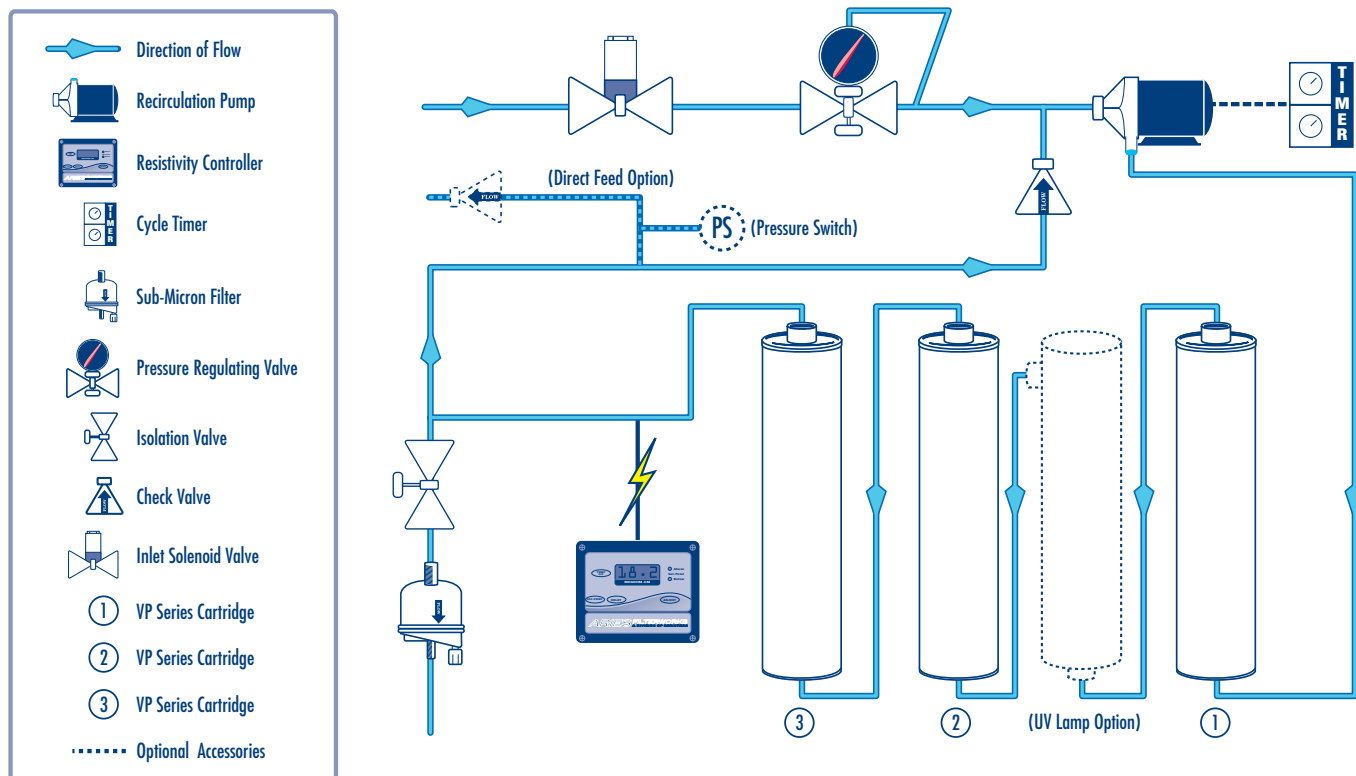
This attractive compact unit can be free standing or wall mounted. Resistivity is temperature compensated and continuously monitored on the digital display. Filters are easy to replace and require no tools. High capacity cartridges require less frequent change outs and lower operating costs.

A variety of options are available including: remote dispensing gun, 0.05 micron hollow fiber UF filter, and combination high-purity/sub-micron cartridge Reverse Osmosis pretreatment systems are also available. Aries also offers a direct feed option for auxiliary equipment.

FEATURES & BENEFITS

- 18.2 Megohms
- Up to 4.0 liters per minute
- Built in pressure regulator
- 0.2 micron final filter
- Fully recirculating
- Easy cartridge replacement
- Exceeds ASTM Type I water specifications
- Low Operating Costs
- Direct Feed (optional)

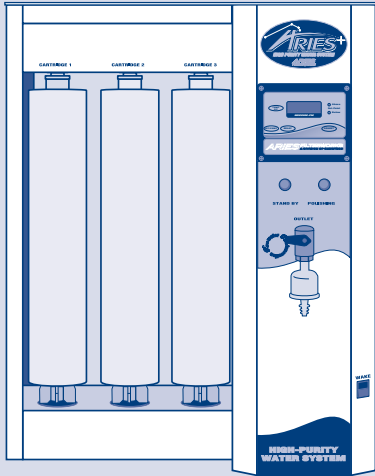
FLOW DIAGRAM



09192011

ARIES LABORATORY SYSTEM

TECHNICAL DATA



Dimensions (H x W x D)

25 in. x 23 in. x 8.5 in.
(64 cm x 59 cm x 22 cm)

Weight

32 lbs dry / 38 lbs operating
(14.5 kg dry / 17.3 kg operating)

Connections

Inlet 3/8" Tube
Outlet 1/4" FNPT

Power Requirements

120 VAC/ 60 Hz @ 1.0 amp

Pressure (Max./Min.)

60 psig/20 psig

Temperature (Max.)

100°F

Flow Rate

4.0 lpm (1.1 GPM)
2.0 lpm (0.53 GPM)*

* w/ capsule filter

INFLUENT QUALITY

Source	Reverse Osmosis, DI, or Distillation
Purity	< 20 uS/cm
Filtration	0.2 micron
Free Chlorine	< 0.05 ppm
Silica	< 2 ppm
TOC	< 50 ppb

EFFLUENT QUALITY (STANDARD SYSTEM)

Standard System	
Purity	> 18 Megohm- cm
Microorganisms	< 10 CFU / mL
Chlorides	< 1 ppb
Sodium	< 1 ppb
With 0.05 micron UF	
Endotoxin	< 0.03 EU

ORDERING GUIDE

ARS-102	Aries System with 0.2 micron capsule filter†
ARS-105	Aries System with 0.05 micron capsule ultrafilter†

OPTIONS & ACCESSORIES

ARA-DG	Dispensing Gun and tubing kit
ARA-UV	UV Combination for Bacteria and TOC
ARA-DF	Direct Feed
ARA-WB	Aries wall mount bracket
VPK-3805	Tap Feed Cartridge Kit
VPK-4010	RO/DI Feed Cartridge Kit
PF-00-6402	0.2 micron capsule filter
PF-00-6505-HN	0.05 micron hollow fiber UF filter
HPA-008	220 VAC External Power Converter
HPA-010	Sanitization Kit
HPL-RO	Reverse Osmosis Pretreatment

† VP Series filters not included

MADE IN USA

PROUD TO BE
ISO 9001 : 2008 CERTIFIED



PERRY JOHNSON
REGISTRARS, INC.

*Note: Ordering information subject to change without notice. Please verify all specifications prior to ordering.
For more information Call: (856) 768-9600.*

IMPORTANT NOTICE TO USER:

The following is made in lieu of all other warranties expressed or implied. Manufacturer's and Seller's only obligation shall be to issue credit against the purchase or replacement of the equipment proved to be defective in material or workmanship. Neither Manufacturer nor Seller shall be liable for any injury, loss or damage, direct or indirect, special or consequential, arising out of the use of, misuse, or the inability to use such product. The information contained herein is based on technical data and tests which we believe to be reliable and is intended for use by persons having technical skill at their discretion and risk. Since conditions of use are outside ResinTech's control, we can assume no liability whatsoever for results obtained or damages incurred through the application of the data presented. This information is not intended as a license to operate under, or a recommendation to infringe upon, any patent of ResinTech's or others covering any material or use. The foregoing may not be altered except by written agreement signed by officers of the Manufacturer.